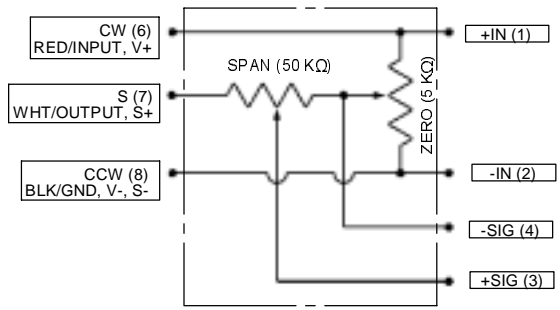
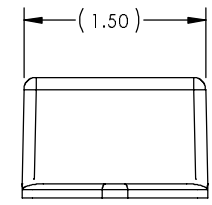
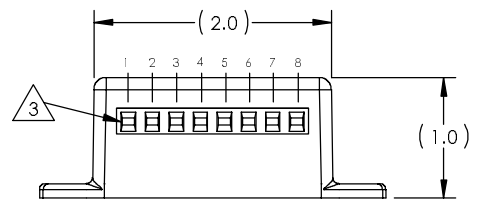
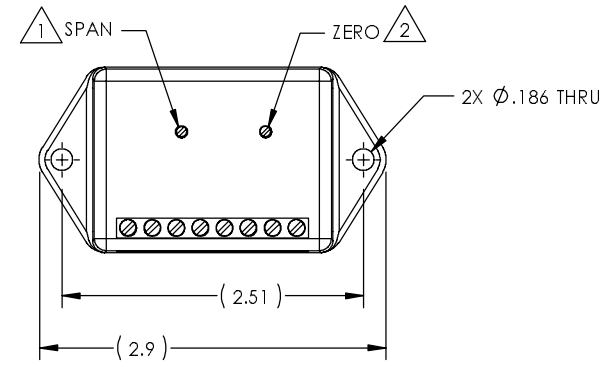
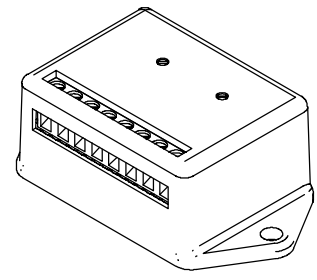


This drawing contains design and other information which is the property of SpaceAge Control, Inc. Except for rights expressly granted by contract to the United States Government, this drawing and data disclosed herein or herewith is not to be reproduced, used, or disclosed in whole or in part to anyone without the written permission of SpaceAge Control, Inc.

NOTES: UNLESS OTHERWISE SPECIFIED

- 1. FULL SCALE OUTPUT: ADJUSTABLE FROM ZERO TO INPUT
- 2. ZERO ADJUST: FROM FULL RETRACTION TO FULL EXTRACTION
- 3. TERMINALS ACCEPT 16 THROUGH 32 AWG WIRE

REV.	DESCRIPTION	DATE	APPROVED



**APPROVED
MASTER
DRAWING FILE**

DO NOT MODIFY
WITHOUT PRIOR APPROVAL

DATE: 11-18-02 DWO

QTY REQD	CAGE CODE	PART OR IDENTIFYING NO.	NOMENCLATURE OR DESCRIPTION	MATERIAL SPECIFICATION	ITEM NO.

QTY REQD	CAGE CODE	PART OR IDENTIFYING NO.	NOMENCLATURE OR DESCRIPTION	MATERIAL SPECIFICATION	ITEM NO.
1	300866		SIGNAL CONDITIONER		
PARTS LIST					
UNLESS OTHERWISE SPECIFIED DIMENSIONS ARE IN INCHES TOLERANCES ARE:			PROJECT 92		
DECIMALS			ANGLES		
X.X ± 0.03			X° ± 30'		
X.XX ± 0.01					
X.XXX ± 0.005			DO NOT SCALE DRAWING		
MATERIAL			APPROVALS		
			DRAWN S/C MAHONEY 11-18-02		
			CHECKED S/McDANIEL 11-18-02		
			ENGR S/SIMPSON 11-18-02		
FINISH			DATE		
NEXT ASSY			SCALE		
USED ON			DWS. NO.		
			300866		
APPLICATION			REV.		

SpaceAge Control, Inc.

SIGNAL CONDITIONER

B 34851

SCALE: 1:1 SHEET 01