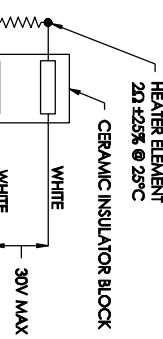
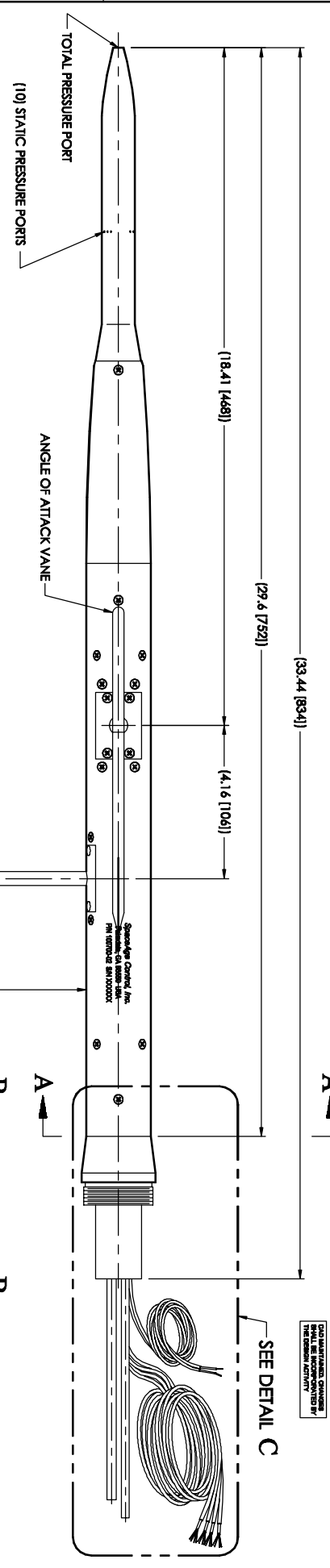
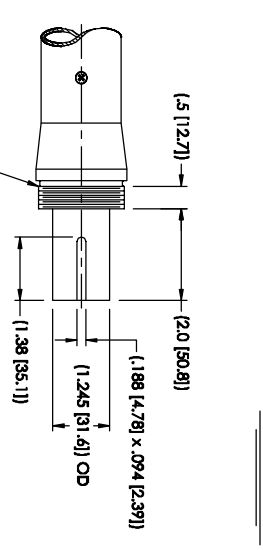
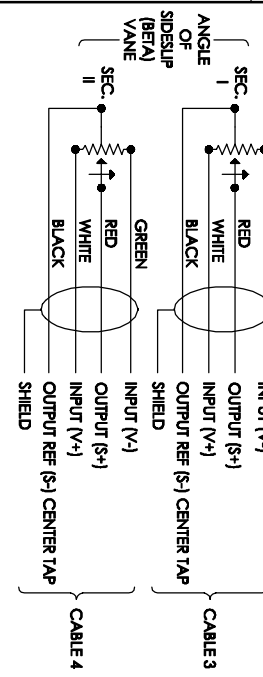
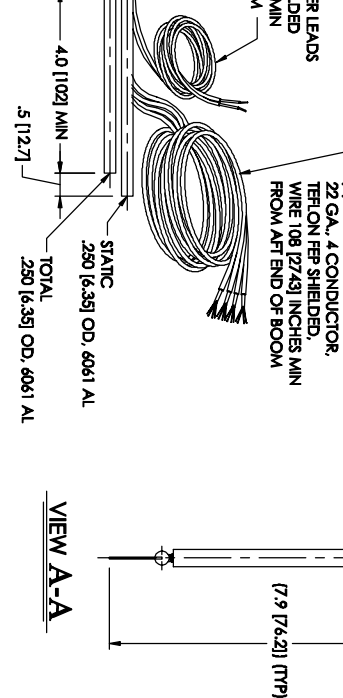
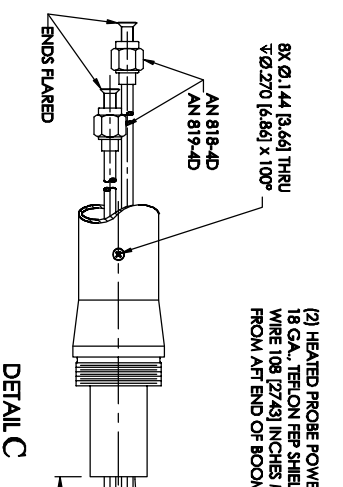
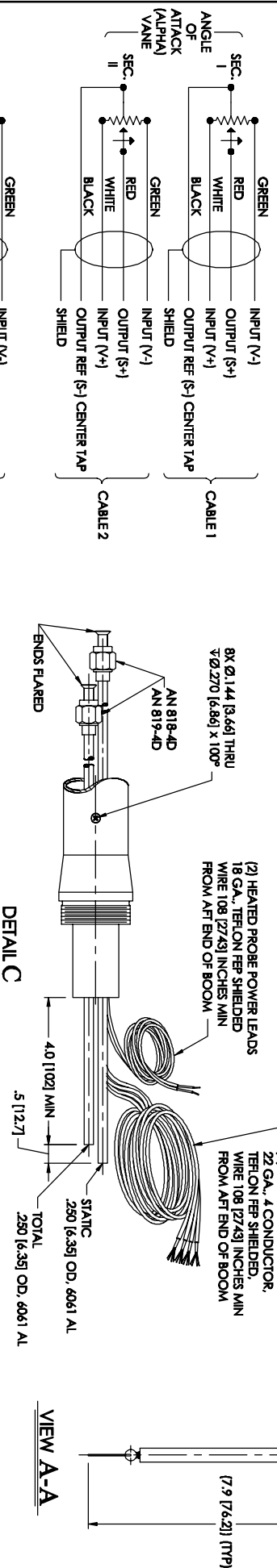
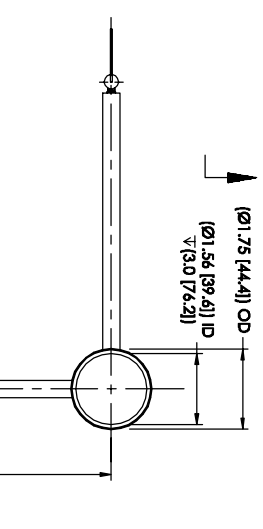
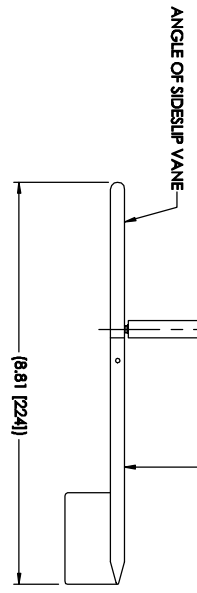


The drawing contains safety and other information which is the property of SpacAge Control, Inc. It is to be used only for the purposes intended and shall not be reproduced, stored in a retrieval system, or transmitted in any form or by any means, electronic, mechanical, photocopying, recording, or by any information storage and retrieval system, without the written permission of SpacAge Control, Inc.



APPROVED MASTER DWG FILE
DO NOT MODIFY WITHOUT PRIOR APPROVAL
DATE: 6-17-02 DMD



REV	DESCRIPTION	DATE	APPROVED
C	PER ECO #0861	2-27-02	S/SIMPSON
D	PER ECO #0936	6-17-02	S/SIMPSON

1		DATE CODE	REV	100700-02	STRAIGHT-NOSE AIR DATA BOOM, HEATED		
2							
3							
4							

DESIGNED BY	DATE	TITLE	DATE
CHECKED BY	12/28/92	STRAIGHT-NOSE AIR DATA BOOM, HEATED	12/28/92
APPROVED BY	12/28/92		
DATE	12/28/92		
100700-02			
34851			
100700-02			

This drawing contains design and other information which is the property of SpaceAge Control, Inc. Except for rights expressly granted by contract to the United States Government, this drawing and data disclosed herein or herewith is not to be produced, used, or disclosed in whole or in part to anyone without the written permission of SpaceAge Control, Inc.

REVISIONS

REV.	DESCRIPTION	DATE	APPROVED
------	-------------	------	----------

CAD MAINTAINED. CHANGES SHALL BE INCORPORATED BY THE DESIGN ACTIVITY

NOTES

1. VANE POTENTIOMETER SPECIFICATIONS (MEASURE ANGLE OF ATTACK (AOA (ALPHA)) AND ANGLE OF SIDESLIP (AOS (BETA)))
 - 1.1. TYPE: DUAL CONDUCTIVE PLASTIC
 - 1.2. RESISTANCE: 5K OHMS
 - 1.3. RESISTANCE TOLERANCE: ±10%
 - 1.4. LINEARITY: ±.5%
 - 1.5. RESOLUTION: INFINITE SIGNAL OUTPUT
 - 1.6. ELECTRICAL TRAVEL: ±170° (±5°) FROM CENTER TAP
 - 1.7. POWER RATING (70° C): 1.0 WATT
 - 1.8. MECHANICAL TRAVEL: 360° CONTINUOUS
 - 1.9. MECHANICAL LIFE: 20+ MILLION SHAFT REVOLUTIONS
 - 1.10. OPERATING TEMPERATURE RANGE: -55° TO +125° C
 - 1.11. OTHER SPECIFICATIONS: PER MIL-R-39023
2. HEATED PROBE SPECIFICATIONS (MEASURES TOTAL AND STATIC PRESSURE)
 - 2.1. INPUT POWER: 28 VDC
 - 2.2. 145 WATTS, SELF-REGULATING
 - 2.3. WIND TUNNEL CALIBRATED UP TO MACH .95
 - 2.4. SPECIFICATIONS: PER MIL-T-5420B, SAE AS 393
3. MAINTENANCE REQUIREMENTS
 - 3.1. PROTECTIVE ACCESSORIES SUCH AS TOTAL HEAD PROBE COVER AND VANE COVER SHOULD BE INSTALLED WHENEVER THE AIR DATA BOOM IS NOT IN USE. THESE ACCESSORIES WILL PROTECT THE PRODUCT FROM DAMAGE AS WELL AS KEEP IT CLEAN.
 - 3.2. PRESSURE OR LEAK TESTING OF THE PRESSURE SYSTEM SHOULD BE CONDUCTED ANNUALLY.
 - 3.3. BEFORE EACH FLIGHT, CHECK THE NOSE TIP FOR DAMAGE THAT MAY CAUSE MEASUREMENT ERRORS.
 - 3.4. BEFORE EACH FLIGHT, CHECK VANES FOR DAMAGE SUCH AS SCRAPED FIN EDGES, BENT FINS OR VANES, AND NOISY VANE BUSHINGS.
 - 3.5. BEFORE EACH FLIGHT, VERIFY ALL SCREWS ARE TIGHT AND THAT THE AIRCRAFT MOUNTING POINT IS SECURE.
 - 3.6. VERIFY CALIBRATION OF VANE ASSEMBLIES ANNUALLY.
4. WEIGHT CHARACTERISTICS

4.1. 100700-02 WITHOUT BOOM ADAPTER OR ELECTRICAL WIRING	4.1 lbs. (1.86 kg)
BOOM ADAPTER	0.64 lbs. (0.29 kg)
ELECTRICAL WIRING	0.95 lbs. (0.43 kg)


**APPROVED
MASTER
DWG FILE**

DO NOT MODIFY
WITHOUT PRIOR APPROVAL

DATE: 6-17-02 DWO

QTY REQD	CAGE CODE	SYM	PART OR IDENTIFYING NO.	NOMENCLATURE OR DESCRIPTION	MATERIAL SPECIFICATION	ITEM NO.
----------	-----------	-----	-------------------------	-----------------------------	------------------------	----------

PARTS LIST

UNLESS OTHERWISE SPECIFIED DIMENSIONS ARE IN INCHES. TOLERANCES ARE: DECIMALS ANGLES X.X ± 0.03 X° ± 30' X.XX ± 0.01 X.XXX ± 0.005 DO NOT SCALE DRAWING	CONTRACT NO.					
	APPROVALS		DATE	TITLE		
	DRAWN	S/O'MAHONEY	12-20-99	STRAIGHT-NOSE AIR DATA BOOM, HEATED		
	CHECKED	S/McDANIEL	12-20-99			
ENGR	S/KEMPTON	12-20-99	SIZE	CAGE CODE	DWG NO.	REV.
DESIGN ACTIVITY			A	34851	100700-02	D
NEXT ASSY	USED ON		SCALE		SHEET	OF
APPLICATION			N/A		2	2