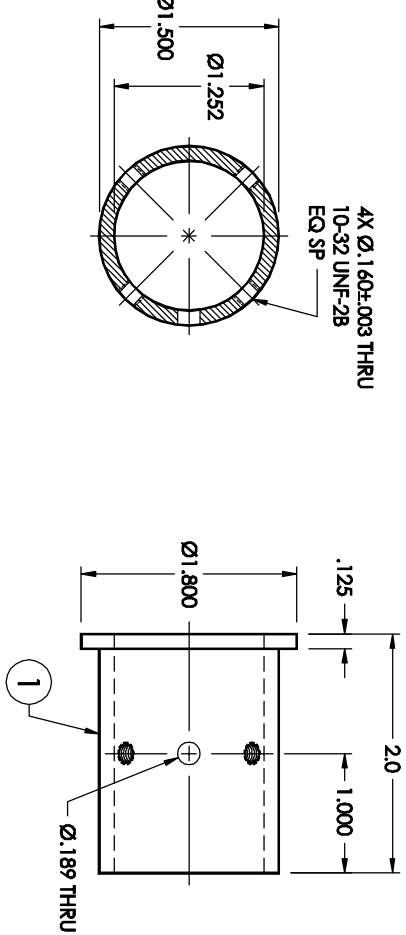
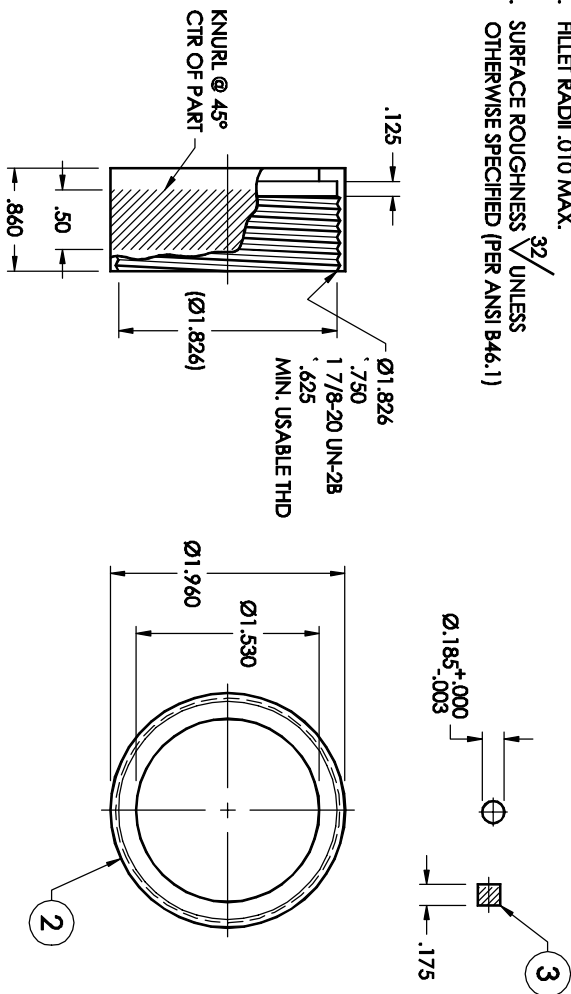


This drawing contains design and other information which is the property of SpaceAge Control, Inc. Except for rights expressly granted by contract to the United States Government, the drawing and data disclosed herein or hereafter is not to be reproduced, used, or disclosed in whole or in part to anyone without the written permission of SpaceAge Control, Inc.

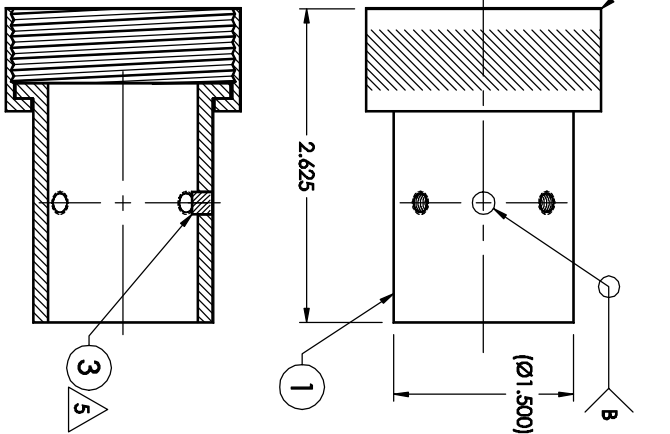
- NOTES: UNLESS OTHERWISE SPECIFIED**
- BREAK EDGES .010 MAX.
 - FILLET RADI .010 MAX.
 - SURFACE ROUGHNESS $\sqrt{32}$ UNLESS OTHERWISE SPECIFIED (PER ANSI B46.1)
 - ALL SURFACES TO BE MACHINED, NO SANDED OR ABRASIVE FINISHES ALLOWED, EXCEPT AS NOTED.
 - SILVER BRAZE ITEM (3) TO (1) Ø.185 PIN TO PROTRUDE .045-.060 ON INSIDE AND FLUSH ON OUTSIDE



REV.	DESCRIPTION	DATE	APPROVED
A	PER ECO #0181	10/4/99	
B	PER ECO #0468	3-23-00	S/KEMPION

DO NOT MAKE CHANGES
SILVER BRAZE ITEM (3)
UNLESS SPECIFIED BY
THE DESIGN ACTIVITY

**APPROVED
MASTER
DWG FILE**
DO NOT MODIFY
WITHOUT PRIOR APPROVAL
DATE: 3-30-00 DWO



QTY	REQD	CAGE CODE	SYM	PART OR IDENTIFYING NO.	NON-IDENTIFYING OR DESCRIPTION	MATERIAL SPECIFICATION	ITEM NO.
1		100598-3		PIN		Ø.185 X .175, 303 SS	3
1		100598-2		NUT		303 SS	2
1		100598-1		SLEEVE		303 SS	1
1		100598		MOUNTING ADAPTER ASSY			1

DESIGNER	CHECKED	DATE	TITLE
XXX ± 0.03	S/OVAHONEY	10-7-99	MOUNTING ADAPTER ASSY
XXXX ± 0.01	CHEKED	10-5-99	
XXXX ± 0.005	S/MGDANNER	10-5-99	
DO NOT SCALE DRAWING			
100/100-2	MR DATA ROOM		
100/100	MR DATA ROOM		
1005/10	MR DATA ROOM		
NEXT ASBY	USED ON		

CONTRACT NO.	APPROVALS	DATE	SCALE	SHEET	OF
			1:1	1	1

SpaceAge Control, Inc.

MOUNTING ADAPTER ASSY

CAGE CODE: 34851
DWG NO: 100588