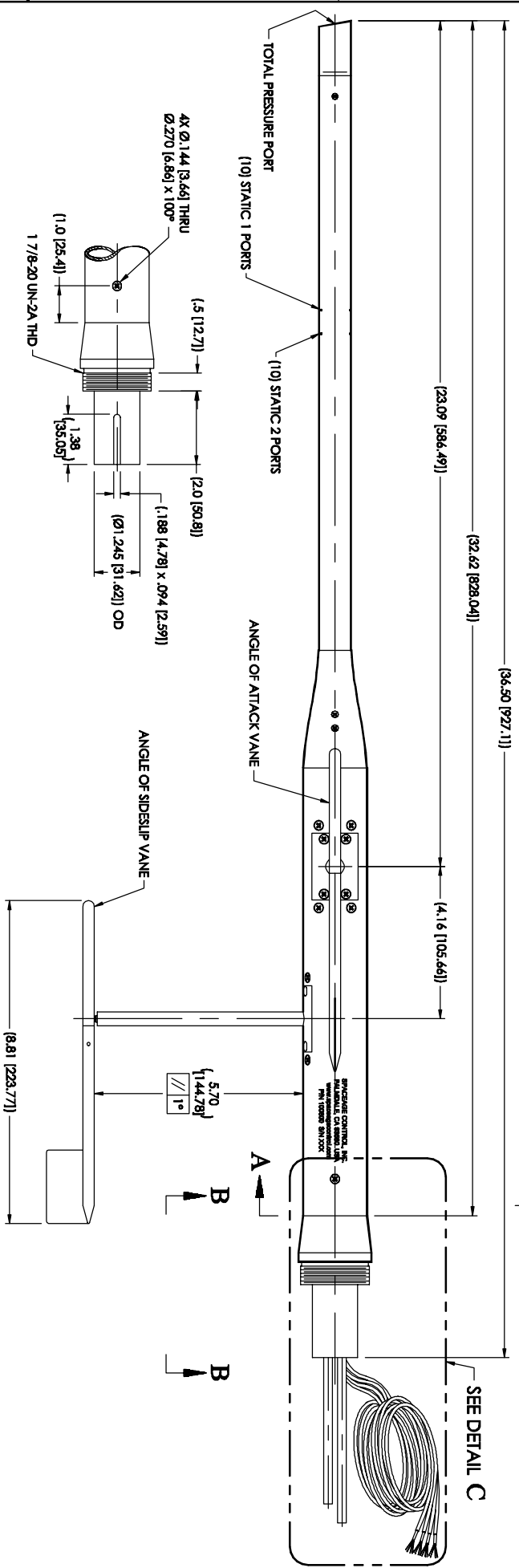


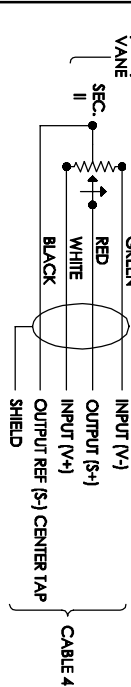
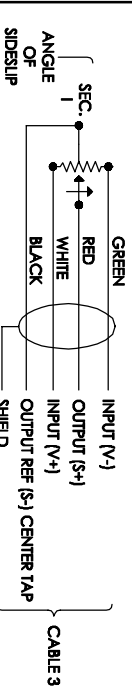
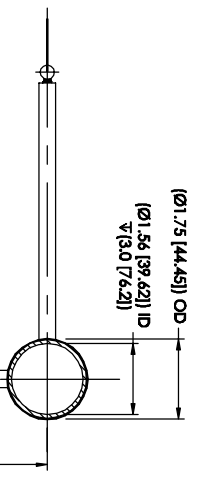
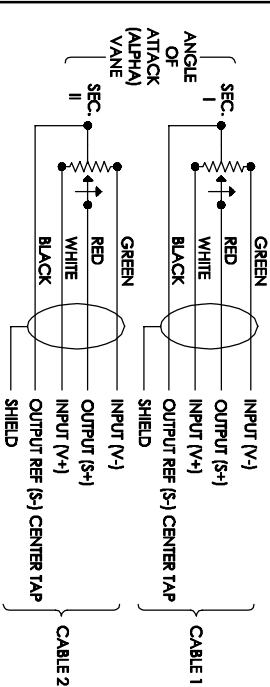
This drawing contains design and other information which is the property of SpacAge Control, Inc. It is to be used only for the purpose intended and no part thereof is to be reproduced or transmitted in any form or by any means, electronic, mechanical, photocopying, recording, or by any information storage and retrieval system, without the written permission of SpacAge Control, Inc.

NOTES: UNLESS OTHERWISE SPECIFIED

1. ALL DIMENSIONS ARE IN INCHES (MM)

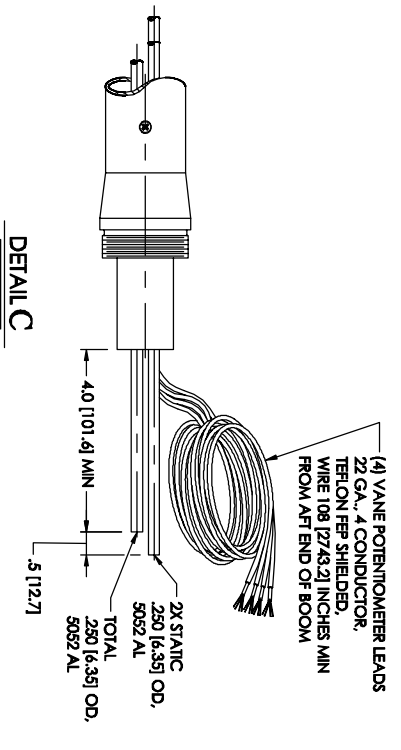


VIEW B-B



ELECTRICAL SCHEMATIC

DETAIL C



SECTION A-A

APPROVED
MASTER
DWG FILE
DO NOT MODIFY
WITHOUT PRIOR APPROVAL
DATE: 6-17-02 DMO

REV.	DESCRIPTION	DATE	APPROVED
B	PER ECO #0923	4-4-02	S/SIMPSON

DO NOT REMOVE, CHANGE OR
REPLACE THIS INFORMATION
FROM THE DRAWING

REV.	DATE	BY	APP.	DESCRIPTION
1	11/19/00			ISSUED FOR FABRICATION

DATE	11/19/00	APP. NO.	100600
DATE	11/19/00	APP. NO.	100600

DATE	11/19/00	APP. NO.	100600
DATE	11/19/00	APP. NO.	100600

DATE	11/19/00	APP. NO.	100600
DATE	11/19/00	APP. NO.	100600

SpacAge Control, Inc.
STRAIGHT-NOSE
AIR DATA BOOM

34851
100600