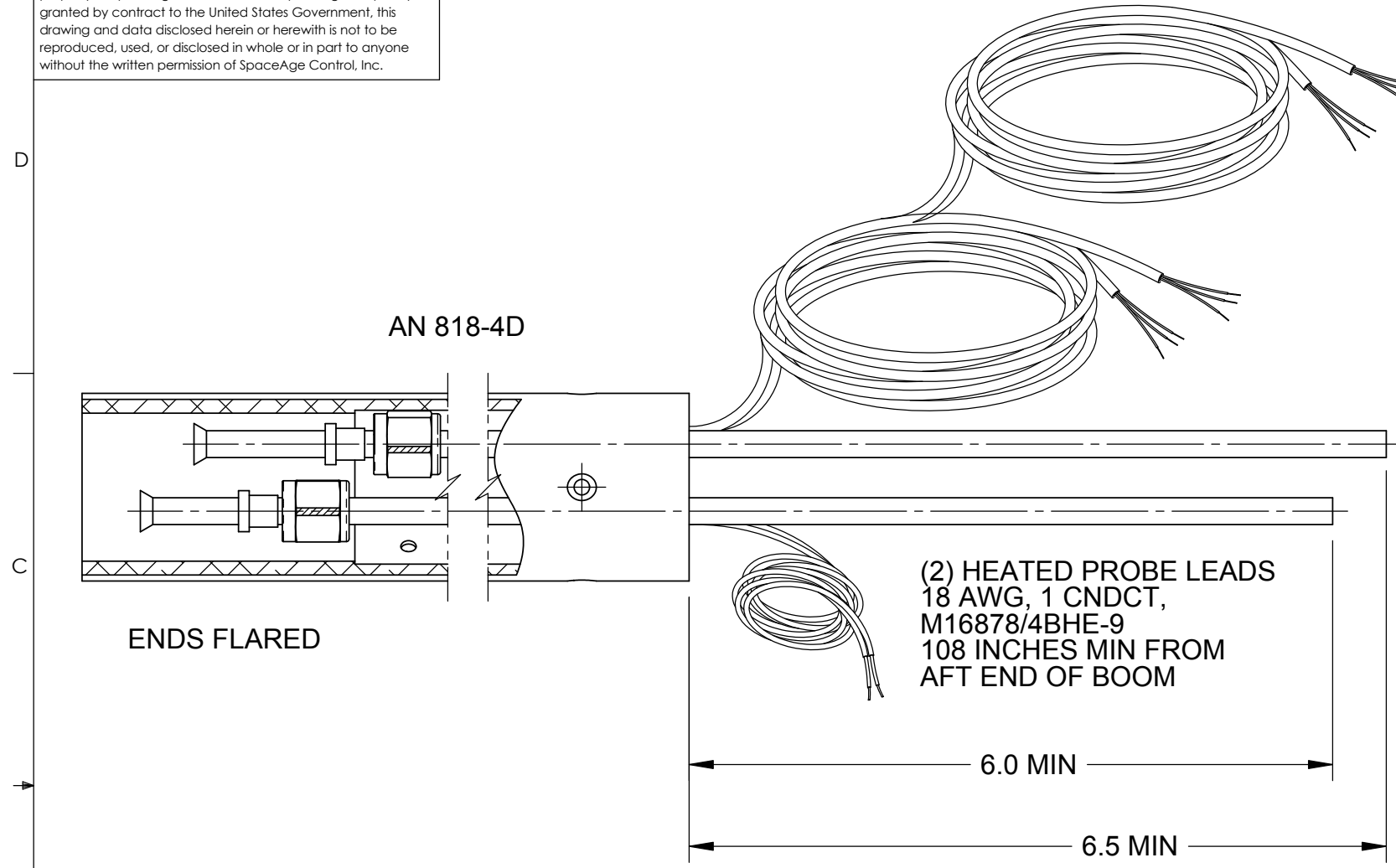


This drawing contains design and other information which is the property of SpaceAge Control, Inc. Except for rights expressly granted by contract to the United States Government, this drawing and data disclosed herein or herewith is not to be reproduced, used, or disclosed in whole or in part to anyone without the written permission of SpaceAge Control, Inc.

REVISIONS			
REV.	DESCRIPTION	DATE	APPROVED

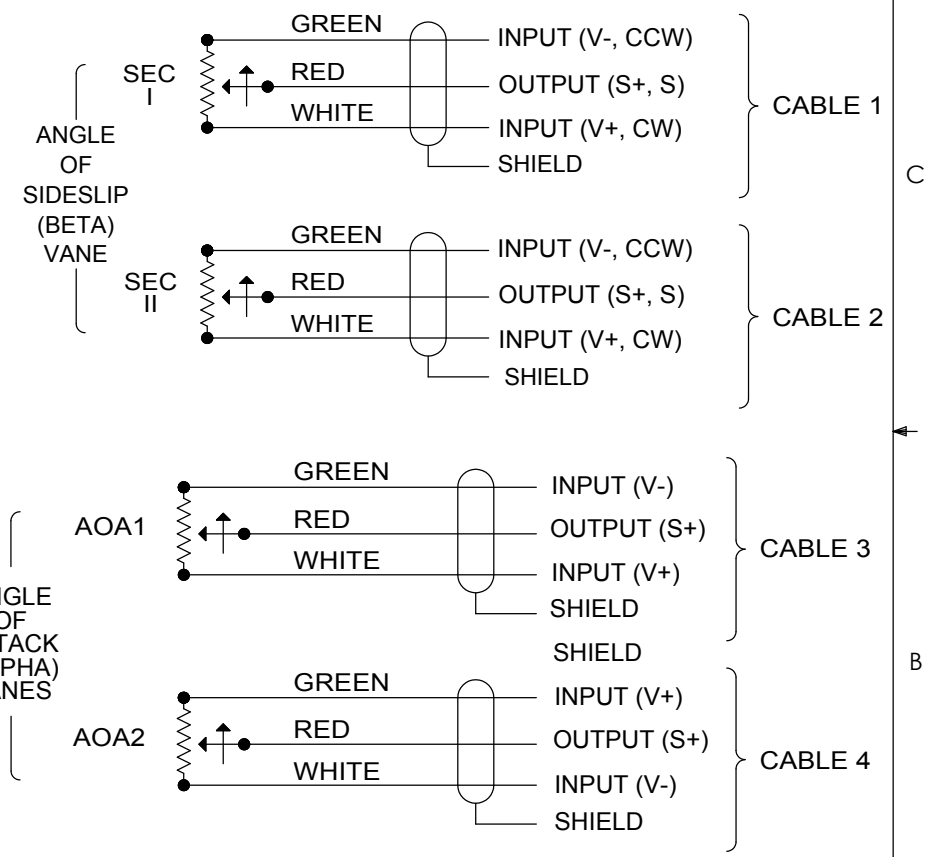
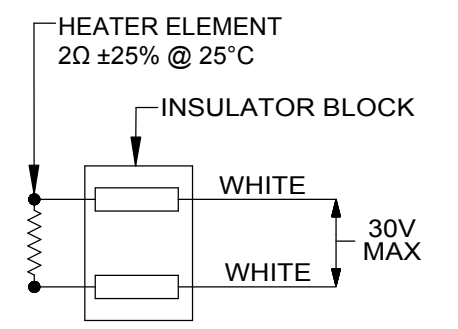


(4) VANE POTENTIOMETER LEADS
22 AWG, 3 CNDCT, FEPT & FLDN
108 INCHES MIN FROM
AFT END OF BOOM

STATIC PRESSURE TUBE
.250 OD, 5052 AL

TOTAL PRESSURE TUBE
.250 OD, 5052 AL

(2) HEATED PROBE LEADS
18 AWG, 1 CNDCT,
M16878/4BHE-9
108 INCHES MIN FROM
AFT END OF BOOM



ELECTRICAL SCHEMATIC

- NOTES**
- VANE POTENTIOMETER SPECIFICATIONS: (MEASURE ANGLE OF ATTACK (AOA (ALPHA)) AND ANGLE OF SIDESLIP (AOS (BETA)))
 - TYPE: CONDUCTIVE PLASTIC
 - RESISTANCE: 2K OHMS
 - RESISTANCE TOLERANCE: ±10%
 - LINEARITY: ±.15% MAX. IN MIDDLE 40°; ±1.00% MAX. AT THE ENDS
 - RESOLUTION: INFINITE SIGNAL OUTPUT
 - ELECTRICAL TRAVEL: 103° NOMINAL
 - POWER RATING (70° C): .5 WATT
 - MECHANICAL TRAVEL: 360° CONTINUOUS
 - MECHANICAL LIFE: 20+ MILLION SHAFT REVOLUTIONS
 - OPERATING TEMPERATURE RANGE: -65° TO +125° C
 - OTHER SPECIFICATIONS: PER MIL-R-39023
 - HEATED PROBE SPECIFICATIONS (TRANSMITS TOTAL AND STATIC PRESSURE)
 - INPUT POWER: 28 VDC NOMINAL
 - 145 WATTS, SELF-REGULATING
 - SPECIFICATIONS: PER MIL-T-5420B, SAE AS 393

SIZE	CAGE CODE	DWG. NO.	REV.
B	34851	100700-08	A
SCALE	NTS	CAD FILE:	SHEET 2 OF 2