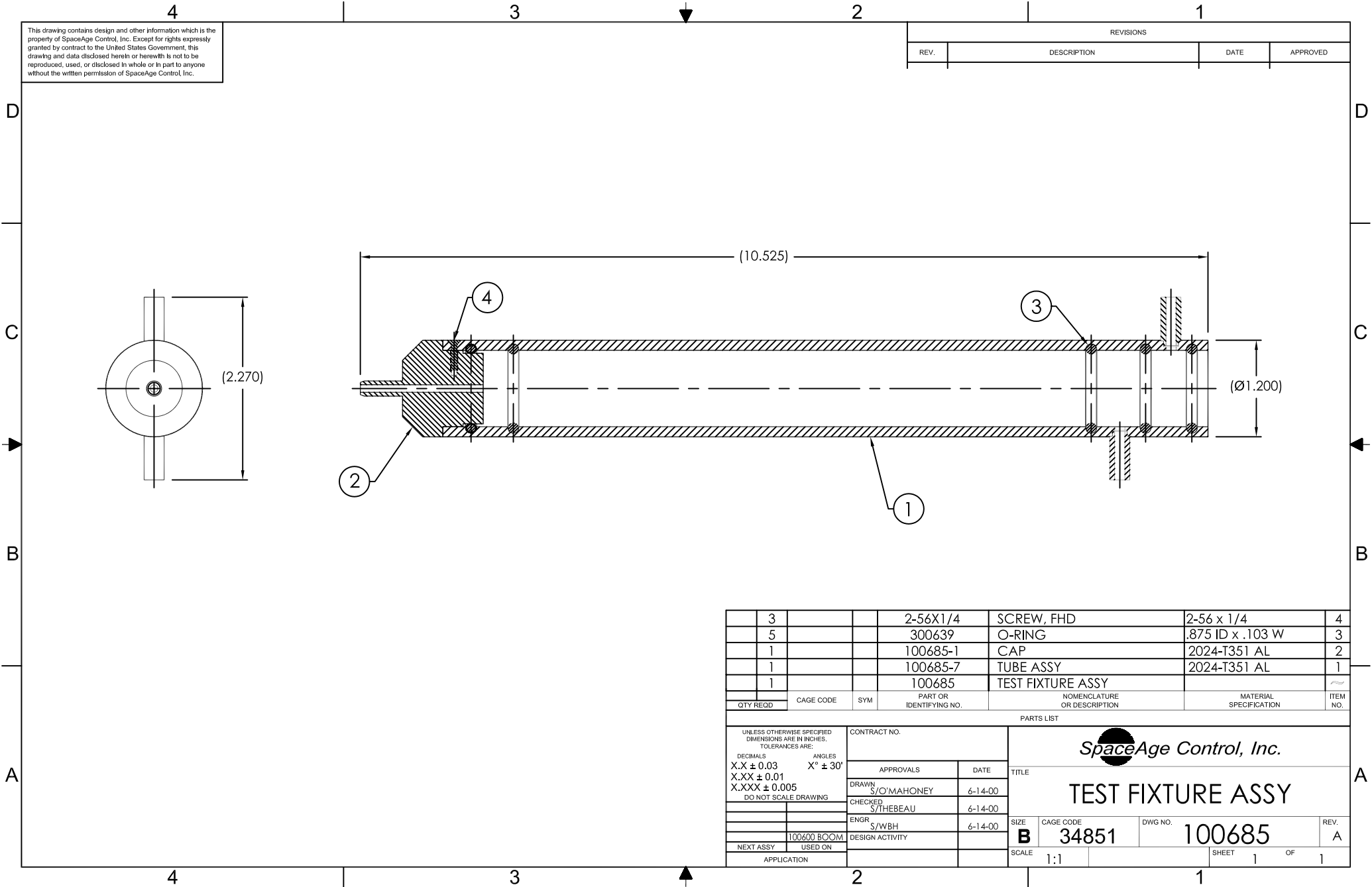



This drawing contains design and other information which is the property of SpaceAge Control, Inc. Except for rights expressly granted by contract to the United States Government, this drawing and data disclosed herein or herewith is not to be reproduced, used, or disclosed in whole or in part to anyone without the written permission of SpaceAge Control, Inc.

REVISIONS			
REV.	DESCRIPTION	DATE	APPROVED



QTY REQD	CAGE CODE	SYM	PART OR IDENTIFYING NO.	NOMENCLATURE OR DESCRIPTION	MATERIAL SPECIFICATION	ITEM NO.
3			2-56X1/4	SCREW, FHD	2-56 x 1/4	4
5			300639	O-RING	.875 ID x .103 W	3
1			100685-1	CAP	2024-T351 AL	2
1			100685-7	TUBE ASSY	2024-T351 AL	1
1			100685	TEST FIXTURE ASSY		

UNLESS OTHERWISE SPECIFIED DIMENSIONS ARE IN INCHES. TOLERANCES ARE: DECIMALS: X.X ± 0.03 X.XX ± 0.01 X.XXX ± 0.005 DO NOT SCALE DRAWING		CONTRACT NO.		 TEST FIXTURE ASSY		
ANGLES: X° ± 30'		APPROVALS				DATE
NEXT ASSY USED ON		DRAWN				
APPLICATION		CHECKED				
		ENGR		DATE	TITLE	
		DESIGN ACTIVITY				
		SCALE		SIZE	REV.	
		1:1		B	A	
		SHEET 1 OF 1		CAGE CODE	DWG NO.	
				34851	100685	