

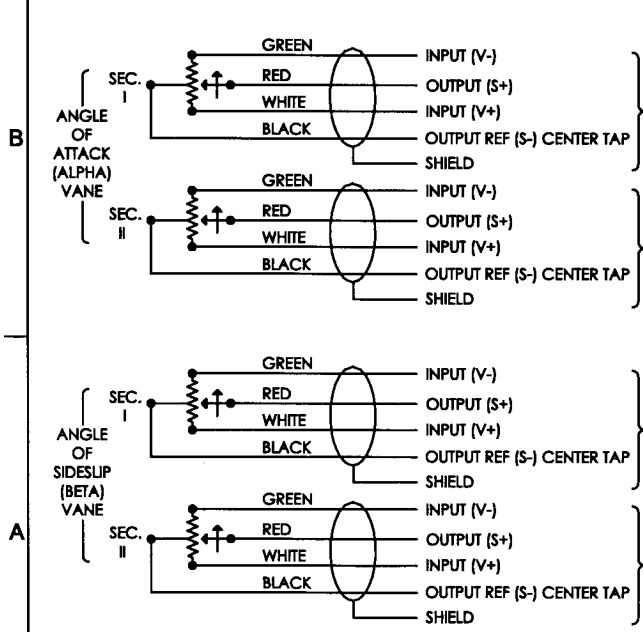
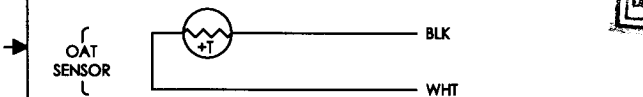
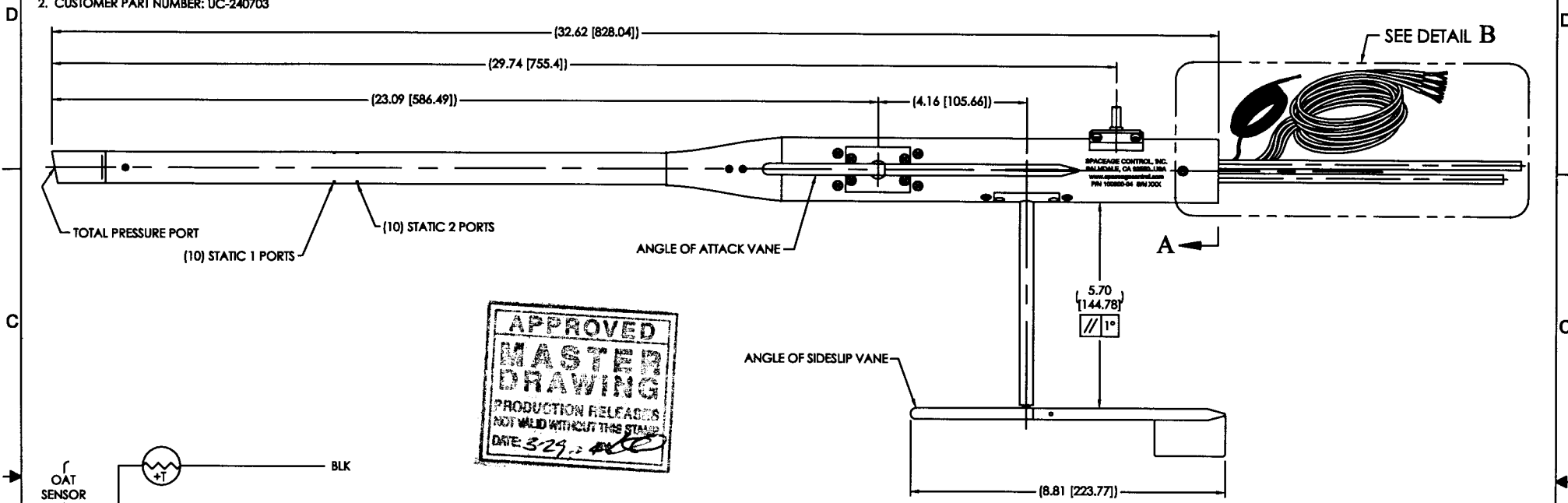
This drawing contains design and other information which is the property of SpaceAge Control, Inc. Except for rights expressly granted by contract to the United States Government, this drawing and data disclosed herein or hereunto is not to be reproduced, used, or disclosed in whole or in part to anyone without the written permission of SpaceAge Control, Inc.

REVISIONS			
REV.	DESCRIPTION	DATE	APPROVED
A	PER ECO #1068	3-29-04	<i>[Signature]</i>

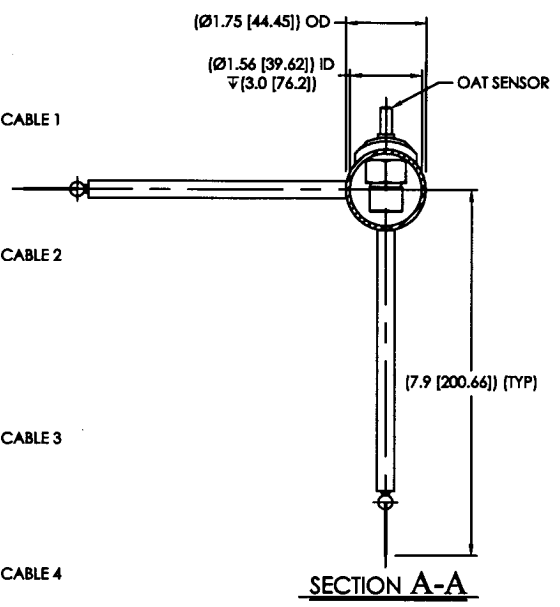
NOTES: UNLESS OTHERWISE SPECIFIED

1. ALL DIMENSIONS ARE IN INCHES [MM]
2. CUSTOMER PART NUMBER: UC-240703

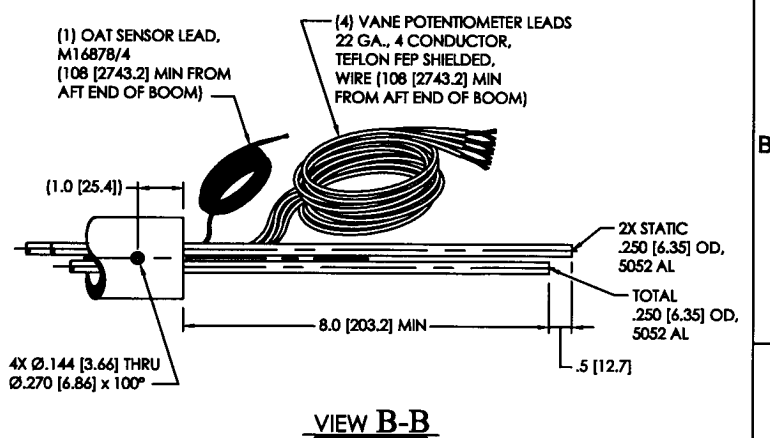
OLD UNAPPROVED CHANGES SHALL BE INCORPORATED BY THE DESIGN ACTIVITY



ELECTRICAL SCHEMATIC



SECTION A-A



VIEW B-B

1		100600-04		STRAIGHT-NOSE AIR DATA BOOM	
CITY	DATE	REV	PART OR IDENTIFYING NO.	NOMENCLATURE OR DESCRIPTION	MATERIAL SPECIFICATION
<small>UNLESS OTHERWISE SPECIFIED DIMENSIONS ARE IN INCHES UNLESS OTHERWISE SPECIFIED</small> DECIMALS X.X ± 0.05 ANGLES X° ± 30' FRACTIONS X/XX ± 0.01 X/XXX ± 0.005 DO NOT SCALE DRAWING		CONTRACT NO. PROJECT 141 APPROVALS DATE DRAWN BY S/O MAHONEY 2-24-04 CHECKED BY S/O DANIEL 2-24-04 DESIGNED BY S/O SHIMPSON 2-24-04		PARTS LIST SpaceAge Control, Inc. STRAIGHT-NOSE AIR DATA BOOM	
SIZE	CAGE CODE	DWG NO.	REV.		
C	34851	100600-04	A		
SCALE	1:2	SHEET	1	OF 1	