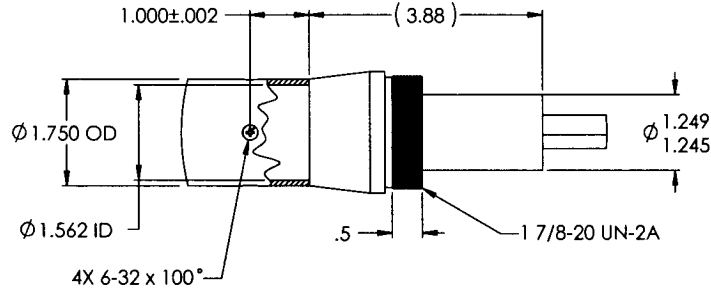


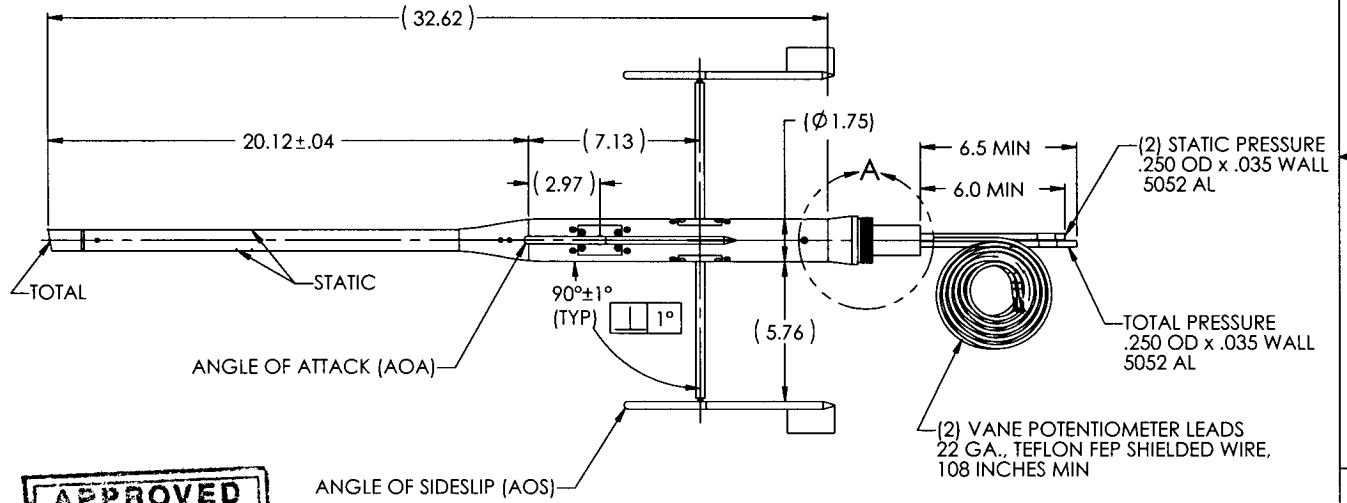
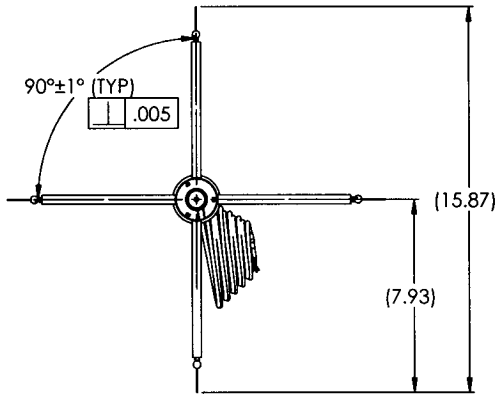
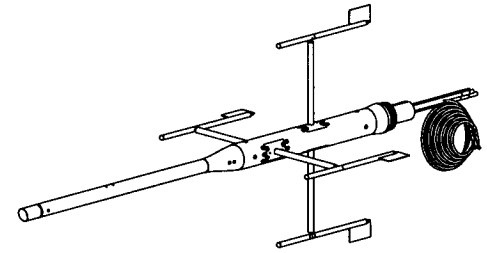
This drawing contains design and other information which is the property of SpaceAge Control, Inc. Except for rights expressly granted by contract to the United States Government, this drawing and data disclosed herein or herewith is not to be reproduced, used, or disclosed in whole or in part to anyone without the written permission of SpaceAge Control, Inc.

REVISIONS			
REV.	DESCRIPTION	DATE	APPROVED

NOTES: UNLESS OTHERWISE SPECIFIED



DETAIL A  
SCALE 1 : 2



**APPROVED**  
**MASTER**  
**DRAWING**  
PRODUCTION RELEASES  
NOT VALID WITHOUT THIS SEAL  
DATE 7-10-01 BY [Signature]

QTY REQD	CAGE CODE	PART OR IDENTIFYING NO.	NOMENCLATURE OR DESCRIPTION	MATERIAL SPECIFICATION	ITEM NO.

1 100600-01 STRAIGHT-NOSE AIR DATA BOOM					
PARTS LIST					
UNLESS OTHERWISE SPECIFIED DIMENSIONS ARE IN INCHES TOLERANCES ARE:					
DECIMALS		ANGLES			
X.X ± 0.03		X° ± 30'			
X.XX ± 0.01					
X.XXX ± 0.005					
DO NOT SCALE DRAWING					
MATERIAL					
FINISH					
NEXT ASSY					
USED ON					
APPLICATION					
CAD GENERATED DRAWING DO NOT MANUALLY UPDATE					
PROJECT 78		SpaceAge Control, Inc.			
APPROVALS		DATE			
DRAWN BY [Signature]		[Date]			
CHECKED BY [Signature]		[Date]			
ENG. BY [Signature]		[Date]			
MFG. BY [Signature]		[Date]			
SCALE 1:5		CAGE CODE B 34851		OWG. NO. 100600-01	
SCALE 1:5		CAD FILE:		SHEET 1 OF 2	