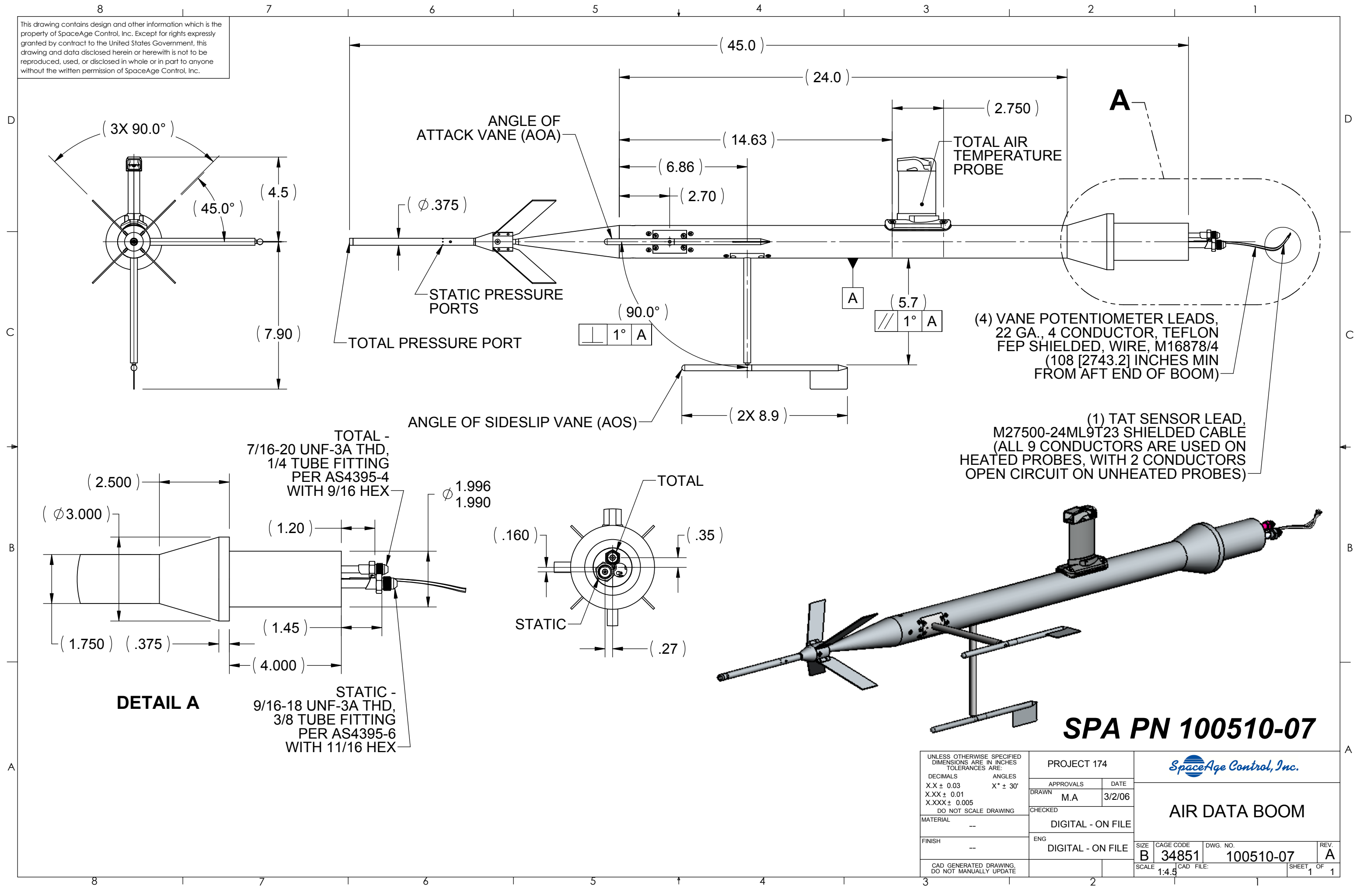


This drawing contains design and other information which is the property of SpaceAge Control, Inc. Except for rights expressly granted by contract to the United States Government, this drawing and data disclosed herein or herewith is not to be reproduced, used, or disclosed in whole or in part to anyone without the written permission of SpaceAge Control, Inc.



UNLESS OTHERWISE SPECIFIED DIMENSIONS ARE IN INCHES TOLERANCES ARE:		PROJECT 174		SpaceAge Control, Inc.	
DECIMALS	ANGLES	APPROVALS	DATE	AIR DATA BOOM	
X.X ± 0.03	X° ± 30'	M.A	3/2/06		
X.XX ± 0.01		CHECKED			
X.XXX ± 0.005		ENG			
DO NOT SCALE DRAWING		DIGITAL - ON FILE		SIZE	CAGE CODE
MATERIAL	--	DIGITAL - ON FILE		B	34851
FINISH	--	DIGITAL - ON FILE		DWG. NO.	100510-07
CAD GENERATED DRAWING. DO NOT MANUALLY UPDATE				SCALE	1:4.5
				SHEET	1 OF 1