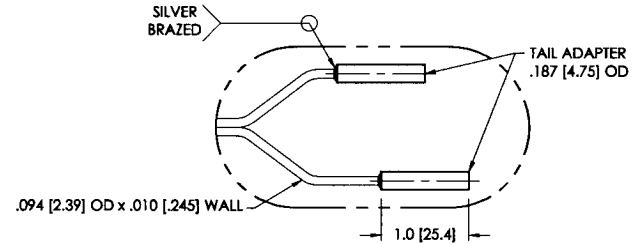
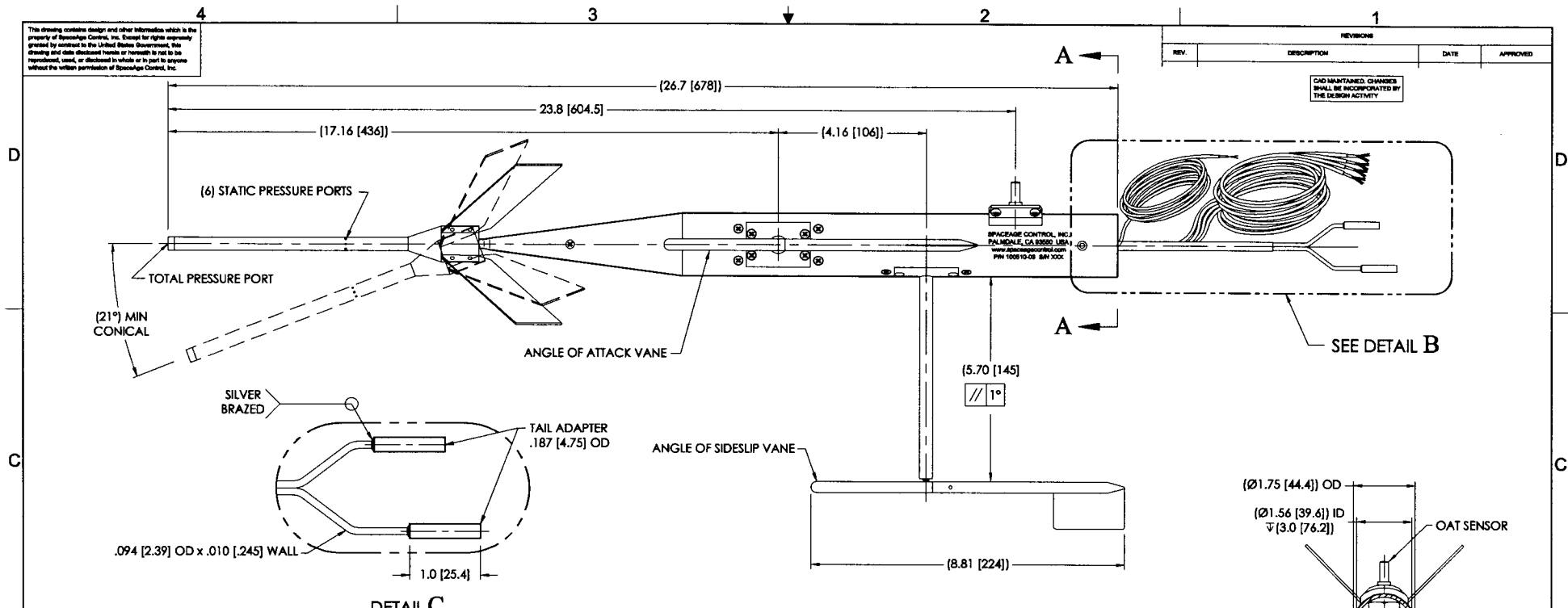


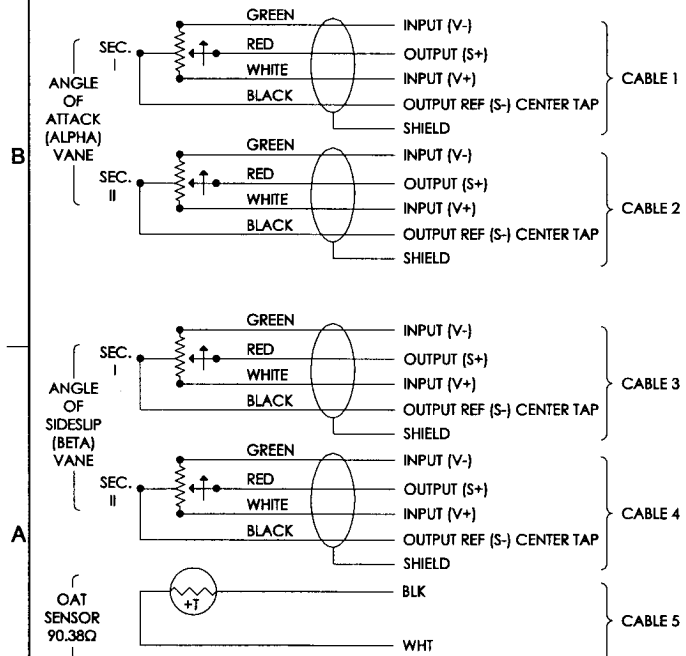
This drawing contains design and other information which is the property of SpaceAge Control, Inc. Except for rights expressly granted by contract to the United States Government, this drawing and data disclosed herein or hereon is not to be reproduced, used, or disclosed in whole or in part to anyone without the written permission of SpaceAge Control, Inc.

REVISIONS			
REV.	DESCRIPTION	DATE	APPROVED

CAD MAINTAINED CHANGES SHALL BE INCORPORATED BY THE DESIGN ACTIVITY



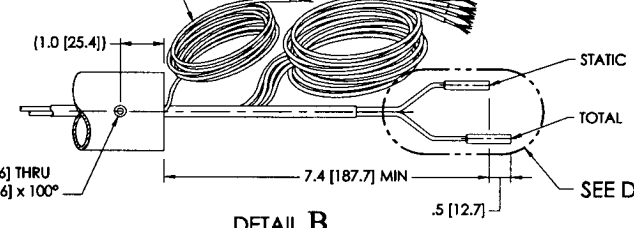
DETAIL C
SCALE 1:1



ELECTRICAL SCHEMATIC

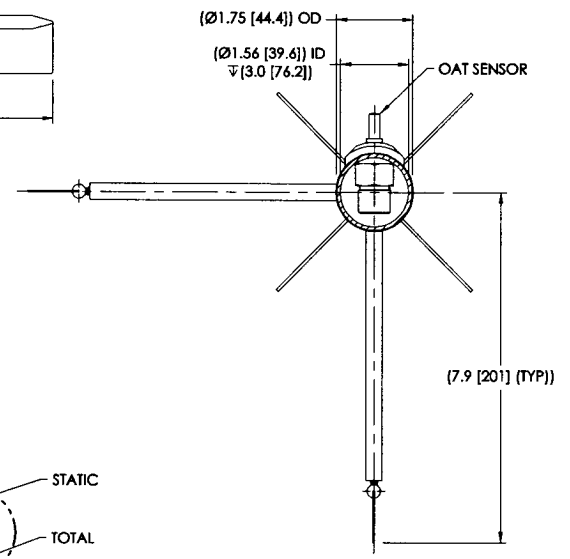
(4) VANE POTENTIOMETER LEADS,
22 GA., 4 CONDUCTOR, TEFLON
FEP SHIELDED, WIRE, M16878/4
(108 [2743.2] INCHES MIN
FROM AFT END OF BOOM)

(1) OAT SENSOR LEAD,
22 GA., 4 CONDUCTOR, TEFLON
FEP SHIELDED, WIRE, M16878/4
(108 [2743.2] INCHES MIN
FROM AFT END OF BOOM)
TWO USED



DETAIL B

APPROVED
MASTER
DRAWING
PRODUCTION RELEASES
NOT VALID WITHOUT THIS STAMP
DATE 6-8-04 BY [Signature]



VIEW A-A

1		100510-03		SWIVEL-HEAD AIR DATA BOOM	
QTY REQD	CAGE CODE	BYN	PART OR IDENTIFYING NO.	ABBREVIATION OR DESCRIPTION	MATERIAL SPECIFICATION
PARTS LIST					
UNLESS OTHERWISE SPECIFIED DIMENSIONS ARE IN INCHES TOLERANCES ARE:		CONTRACT NO.		PROJECT 147	
DECIMALS .X.X ± 0.03		ANGLES X° ± 30'			
X.XXX ± 0.01		APPROVALS		DATE	
X.XXXX ± 0.005		DRAWN		TITLE	
DO NOT SCALE DRAWING		CHECKED			
		ENGR		SCALE	
		DESIGN ACTIVITY			
NEXT ASSY		USED ON		CAGE CODE	
APPLICATION				34851	
				DWG NO.	
				100510-03	
				REV	
				C	
				SCALE	
				1:2	
				SHEET	
				1 OF 1	

SpaceAge Control, Inc.
SWIVEL-HEAD
AIR DATA BOOM