

This drawing contains design and other information which is the property of SpaceAge Control, Inc. Except for rights expressly granted by contract to the United States Government, this drawing and data disclosed herein or herewith is not to be reproduced, used, or disclosed in whole or in part to anyone without the written permission of SpaceAge Control, Inc.

PRINCIPAL AXES OF INERTIA AND PRINCIPAL MOMENTS OF INERTIA: (POUNDS * SQUARE INCHES)
 TAKEN AT THE CENTER OF MASS.

Ix = (0.011, -0.008, 1.000) Px = 16.431
 Iy = (-0.626, -0.780, 0.001) Py = 1794.193
 Iz = (0.780, -0.626, -0.014) Pz = 1795.060

MOMENTS OF INERTIA: (POUNDS * SQUARE INCHES)
 TAKEN AT THE CENTER OF MASS AND ALIGNED WITH THE OUTPUT COORDINATE SYSTEM.

Lxx = 1794.505 Lxy = 0.265 Lxz = 19.547
 Lyx = 0.265 Lyy = 1794.417 Lyz = -14.350
 Lzx = 19.547 Lzy = -14.350 Lzz = 16.671

MOMENTS OF INERTIA: (POUNDS * SQUARE INCHES)
 TAKEN AT THE OUTPUT COORDINATE SYSTEM.

lxx = 8233.939 lxy = 0.001 lxz = -21.840
 lyx = 0.001 lyy = 8233.853 lyz = 26.872
 lzx = -21.840 lzy = 26.872 lzz = 17.291

NOTES: UNLESS OTHERWISE SPECIFIED

MASS PROPERTIES OF 100510-02

MASS = 5.885 POUNDS

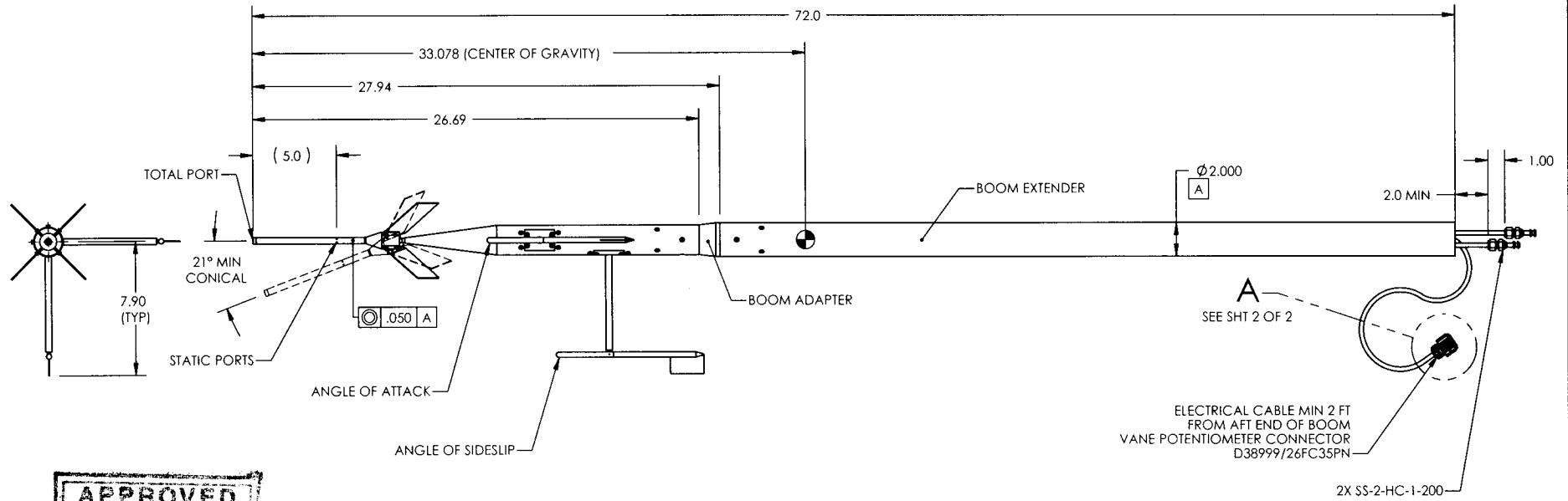
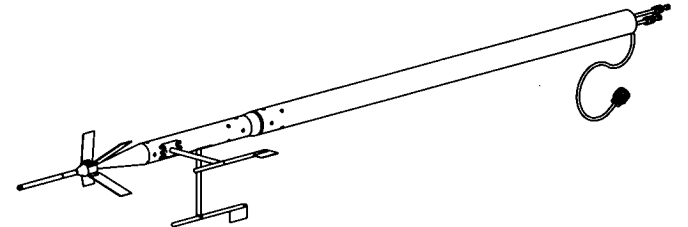
VOLUME = 49.862 CUBIC INCHES

SURFACE AREA = 1208.671 SQUARE INCHES

CENTER OF MASS: (INCHES)
 LESS ELECTRICAL COMPONENTS

X = 0.213
 Y = -0.212
 Z = -33.078

| REVISIONS | | | |
|-----------|-------------|------|----------|
| REV. | DESCRIPTION | DATE | APPROVED |
| | | | |

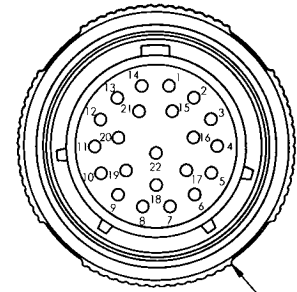
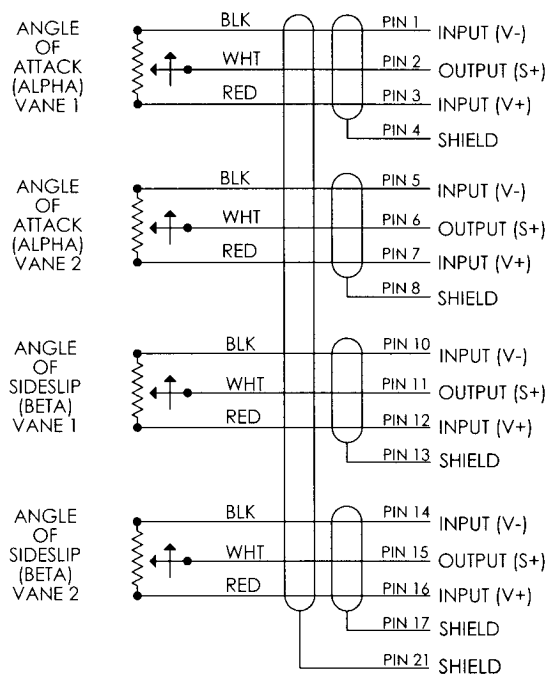


APPROVED
MASTER
DRAWING
 PRODUCTION RELEASED
 NOT VALID WITHOUT THIS SIGNATURE
 DATE 5-14-02 BY [Signature]

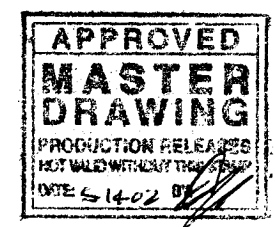
| | | | | | |
|---|---------|---|------|---|--------|
| DIMENSIONS OTHERWISE SPECIFIED DIMENSIONS ARE IN INCHES TOLERANCES ARE DECIMALS ANGLES X.XX ± 0.03 X° ± 30' X.XX ± 0.01 X.XXX ± 0.005 DO NOT SCALE DRAWING | | PROJECT 90 APPROVALS DATE DRAWN BY [Signature] 5-10-02 CHECKED BY [Signature] 5-10-02 ENGR BY [Signature] 5-11-02 | | SpaceAge Control, Inc. SWIVEL-HEAD AIR DAT BOOM | |
| FINISH | --- | SCALE | 1:1 | SHEET | 1 OF 2 |
| NEXT ASSY | USED ON | CAD GENERATED DRAWING DO NOT MANUALLY UPDATE | DATE | REV. | |
| APPLICATION | | | | | |

This drawing contains design and other information which is the property of SpaceAge Control, Inc. Except for rights expressly granted by contract to the United States Government, this drawing and data disclosed herein or herewith is not to be reproduced, used, or disclosed in whole or in part to anyone without the written permission of SpaceAge Control, Inc.

| REVISIONS | | | |
|-----------|-------------|------|----------|
| REV. | DESCRIPTION | DATE | APPROVED |
| | | | |



VANE POTENTIOMETER CONNECTOR
D38999/26FC35PN



| | | | | | |
|---|----------|------------------|---------|------------------------------|-----------|
| UNLESS OTHERWISE SPECIFIED DIMENSIONS ARE IN INCHES TOLERANCES ARE: | | PROJECT 90 | | SpaceAge Control, Inc. | |
| DECIMALS | ANGLES | APPROVALS | DATE | SWIVEL-HEAD AIR DATA BOOM | |
| X.XX ± 0.03 | X° ± 30' | <i>CHANDLER</i> | 5-14-02 | | |
| X.XX ± 0.01 | | <i>McSweeney</i> | 5-13-02 | | |
| X.XXX ± 0.005 | | <i>51-021</i> | 5-13-02 | | |
| DO NOT SCALE DRAWING | | MATERIAL | --- | SCALE | NIS |
| FINISH | | --- | --- | SITE | B |
| NEXT ASSY | | --- | --- | CAGE CODE | 34851 |
| APPLICATION | | --- | --- | DWG. NO. | 100510-02 |
| CAD GENERATED DRAWING DO NOT MANUALLY UPDATE | | --- | --- | REV. | 2 |
| | | --- | --- | SCALE | --- |
| | | --- | --- | SHEET | 2 OF 2 |