

This drawing contains design and other information which is the property of SpaceAge Control, Inc. Except for rights expressly granted by contract to the United States Government, this drawing and data disclosed herein or herewith is not to be reproduced, used, or disclosed in whole or in part to anyone without the written permission of SpaceAge Control, Inc.

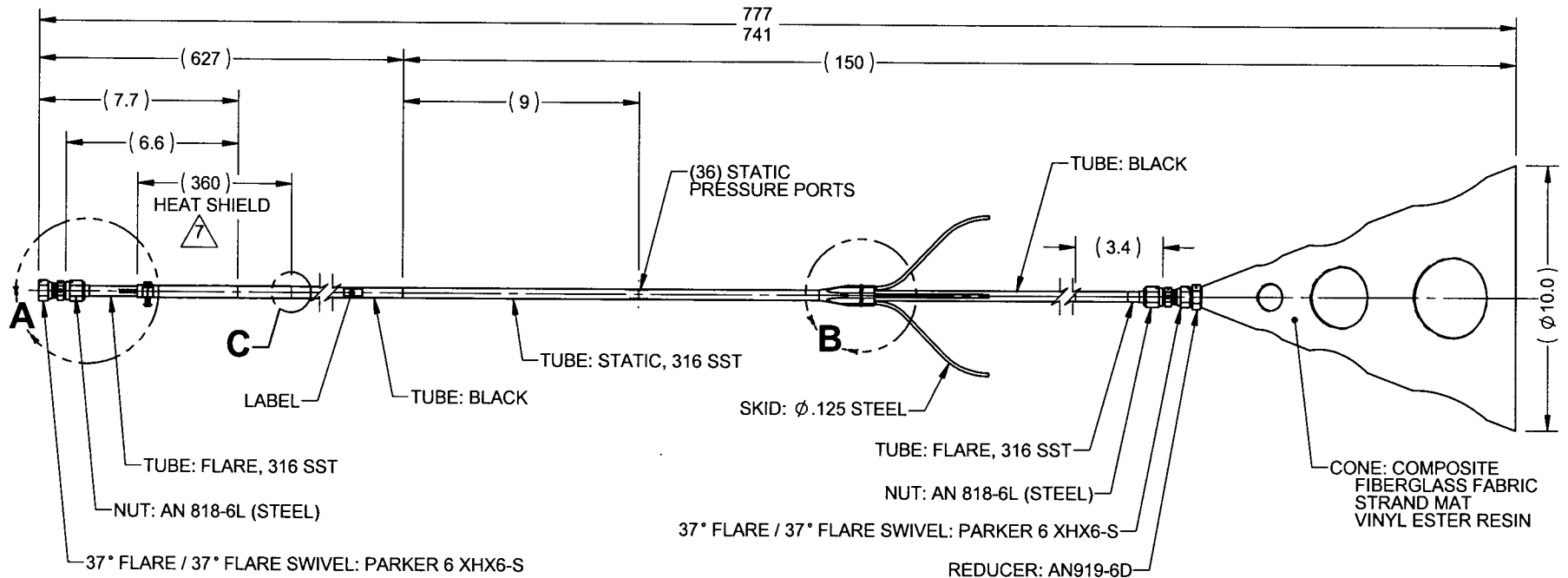
5. ITEMS INCLUDED:

- (8) EXTRA SKIDS
- (8) EXTRA SPRING PINS
- (1) EXTRA CONE
- (1) SAFETY WIRE ROLL

NOTES: UNLESS OTHERWISE SPECIFIED

- 1. FITTINGS: STAINLESS STEEL/STEEL
- 2. INTERNAL CABLE FEATURE: 0.094 IN. OD, 7 x 7 SST
- 3. PULL TEST: 220 LBS MIN FOR 5 MINUTES (PRESSURE TUBE ASSY ONLY)
- 4. SAFETY WIRE HOLE LOCATIONS

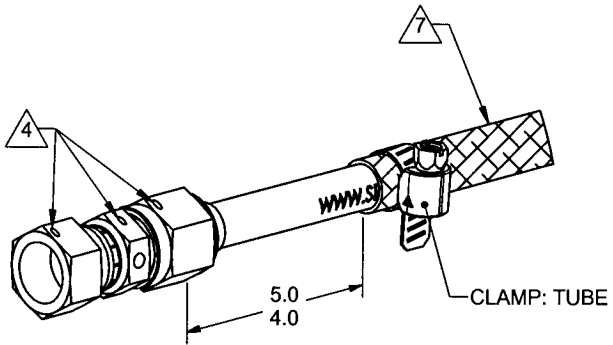
- 6. USER-REPLACEABLE SKIDS SECURED WITH SPRING PINS AND SAFETY WIRE
- 7. KEVLAR SLEEVING: ID ϕ 0.375 IN. NOMINAL WALL 0.125 IN. NOMINAL



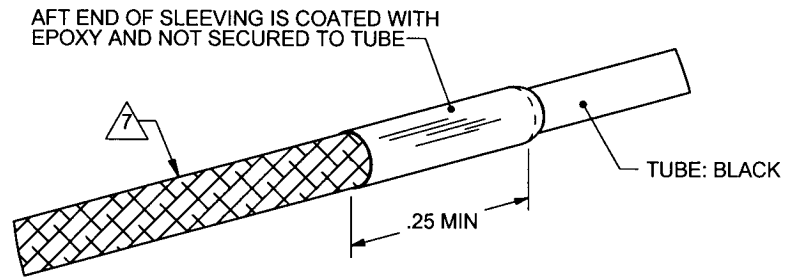
APPROVED
MASTER
DRAWING
 PRODUCTION RELEASED
 NOT VALID WITHOUT THIS STAMP
 DATE 10-25-05 BY [Signature]

1	100105	TRAILING CONE		
QTY REQD	CAGE CODE	PART OR IDENTIFYING NO.	NOMENCLATURE OR DESCRIPTION	MATERIAL SPECIFICATION
PARTS LIST				
UNLESS OTHERWISE SPECIFIED DIMENSIONS ARE IN INCHES TOLERANCES ARE		PROJECT 168		
DECIMALS	ANGLES	SpaceAge Control, Inc.		
X.X ± 0.03	X° ± 30'	APPROVALS		
X.XX ± 0.01		DATE		
X.XXX ± 0.005		[Signature] 10-25-05		
DO NOT SCALE DRAWING		CHECKED		
MATERIAL		[Signature] 10-25-05		
FINISH		REVIS		
		KOH 10-24-05		
NEXT ASSY	USED ON	MFG		
APPLICATION		SIZE		
		CAGE CODE		
		DWG NO		
		B 34851		
		100105		
		SCALE		
		1:4		
		SHEET 1 OF 4		

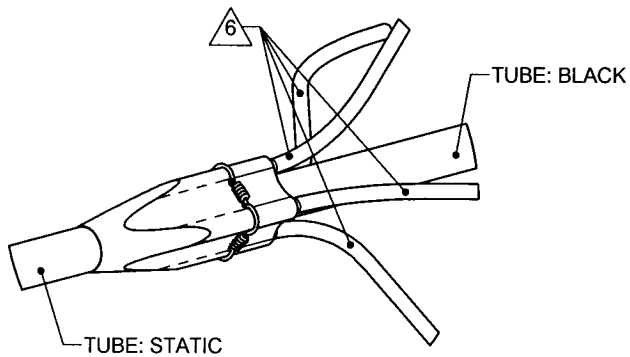
This drawing contains design and other information which is the property of SpaceAge Control, Inc. Except for rights expressly granted by contract to the United States Government, this drawing and data disclosed herein or herewith is not to be reproduced, used, or disclosed in whole or in part to anyone without the written permission of SpaceAge Control, Inc.



VIEW A
SCALE 1 : 1



VIEW C
SCALE 1 : 1



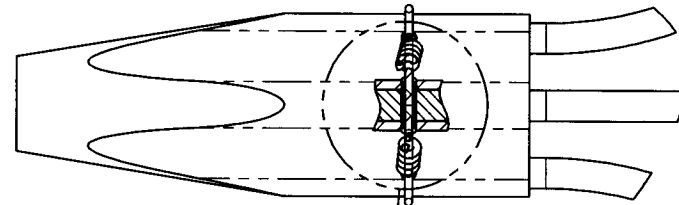
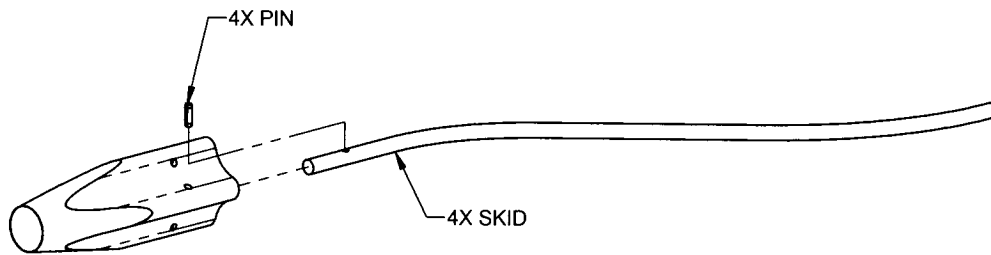
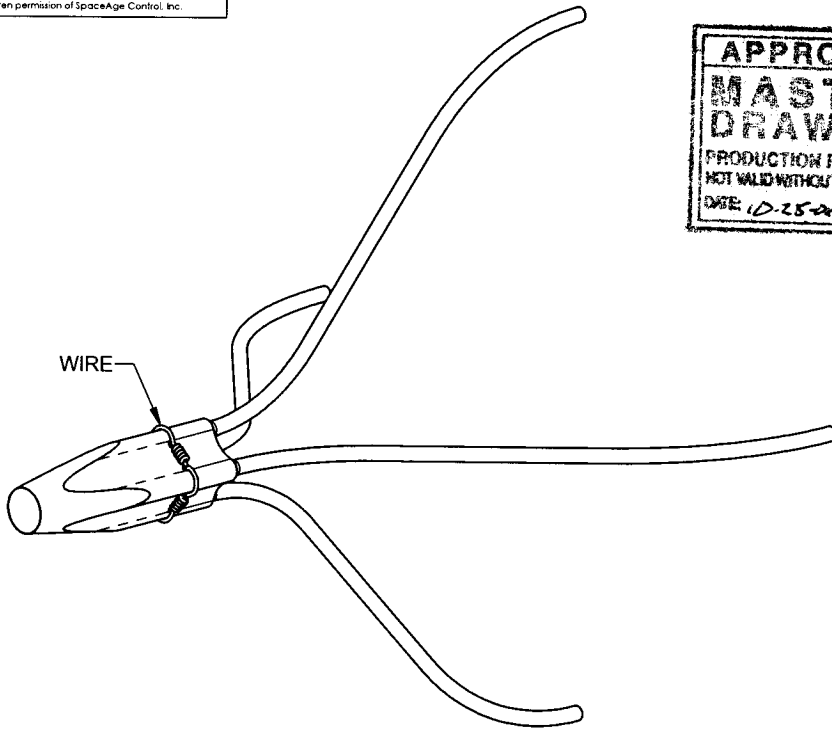
VIEW B
SCALE 1 : 1

APPROVED
MASTER
DRAWING
PRODUCTION RELEASED
NOT VALID WITHOUT THIS STAMP
DATE 10-25-05 BY: [Signature]

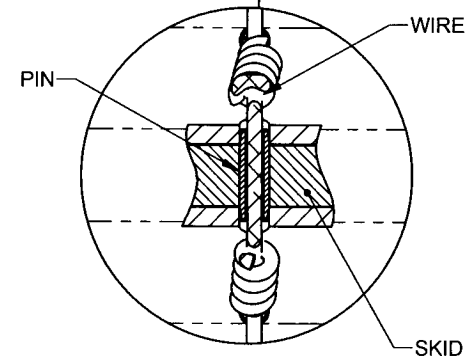
SIZE	CAGE CODE	DWG. NO.	REV.
B	34851	100105	
SCALE	CAD FILE	SHEET	OF
1:1		2	4

This drawing contains design and other information which is the property of SpaceAge Control, Inc. Except for rights expressly granted by contract to the United States Government, this drawing and data disclosed herein or herewith is not to be reproduced, used, or disclosed in whole or in part to anyone without the written permission of SpaceAge Control, Inc.

**APPROVED
MASTER
DRAWING**
PRODUCTION RELEASED
NOT VALID WITHOUT THIS STAMP
DWE 10-25-87



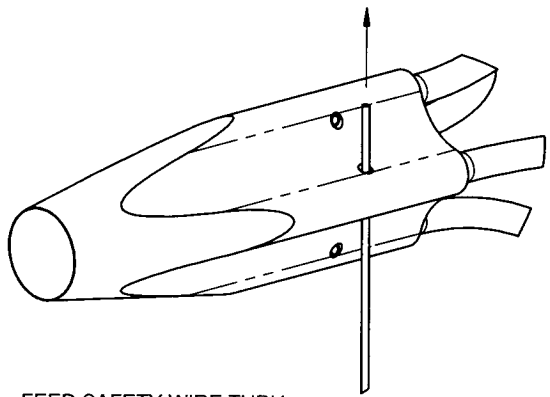
SCALE 2 : 1



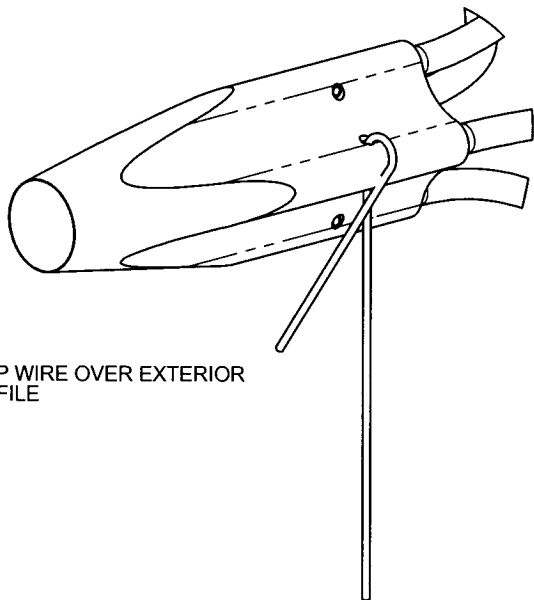
DETAIL D
SCALE 4 : 1

SIZE	CAGE CODE	DWG. NO.	REV.
B	34851	100105	
SCALE	CAD FILE	SHEET OF	
1:4		3	4

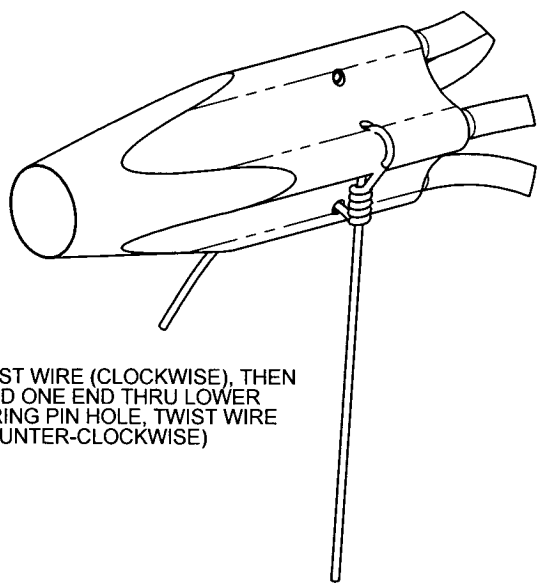
This drawing contains design and other information which is the property of SpaceAge Control, Inc. Except for rights expressly granted by contract to the United States Government, this drawing and data disclosed herein or herewith is not to be reproduced, used, or disclosed in whole or in part to anyone without the written permission of SpaceAge Control, Inc.



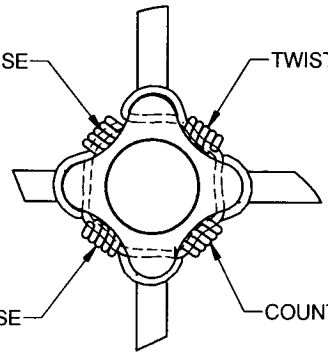
FEED SAFETY WIRE THRU HOLE IN SPRING PIN



LOOP WIRE OVER EXTERIOR PROFILE



TWIST WIRE (CLOCKWISE), THEN FEED ONE END THRU LOWER SPRING PIN HOLE, TWIST WIRE (COUNTER-CLOCKWISE)



COUNTER-CLOCKWISE

TWIST CLOCKWISE

CLOCKWISE

COUNTER-CLOCKWISE

APPROVED
MASTER DRAWING
 PRODUCTION RELEASED
 NOT VALID WITHOUT THIS STAMP
 DATE 10-25-05 BY *LB*

SIZE	CAGE CODE	DWG. NO.	REV.
B	34851	100105	
SCALE	CAD FILE	SHEET OF 4 4	
1:4			